

# 安波福 HSD 连接器

APTIV High Speed Data (HSD) connector portfolio supports an impedance-controlled interconnect system for high speed data transmission. This is a high-performance digital system for low-voltage differential signals which prevents interference from crosstalk and external sources.



## 安波福优势

- Cost effective stamped terminals
- Fully automated assembly process
- Ergonomic design

## 产品特性

- High EMC performance
- Data transmission up to 2Gbps
- Compatible to LV-214 as well as USCAR requirements



## 可选配置与功能

Connector Type	Inlines & Headers
Angles	90° , 180° , Reverse
Gender	Male and Female
Key/Color Codes	A-F, G-M
Cable Assembly	Customized cable assembly
Package	Tape & reel for header connector



## 性能评级与技术参数

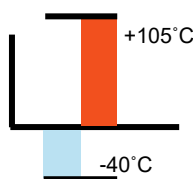
### 通信协议

- USB 2.0, 3.0
- LVDS
- Ethernet
- IEEE 1394
- APIX III

### 振动评级

- LV-214 Level 2
- DIN IEC 60068-2-64 Level 2

### 温度范围



### 防护等级

ISO 20653 & IEC 60529 IP2X



## 应用场景

Display/Infotainment Head Units (IHU)
Cluster Display/360 Around Camera

## 关于安波福

安波福公司是一家致力于未来移动出行方式开发技术及解决方案，使移动出行更加安全、环保、互联的全球性科技公司。安波福公司总部位于都柏林，在全球50个国家/地区设有138个主要生产基地和11个主要技术中心，拥有20余万名员工，其中包括22,200名科学家、工程师和技术人员。

访问 [aptiv.com](http://aptiv.com).





## HSD HEADER RIGHT ANGLE-STAMPING & FORMING

Configuration	4P 90° (Male) (SHIELD PIN PITCH)	4P+2 90° (Male)	4P+2 90° (Male) Reverse)
Product image			
Code A part number	35211239	35236710	35181255
Drawing number	35211249	35236723	35181263
Other codes available	A~F,G~M	A~F	A~F,G~M
Dimensions (mm)	12*27.3*14.2	15.56*27.3*14.2	15.65*27.3*15.9



## HSD HEADER RIGHT ANGLE-DIE-CAST

Configuration	4P 90° (Male) (SHIELD PIN PITCH)	4P 90° (Male) (SHIELD PIN PITCH 9*9)	4P+2 90° (Male)
Product image			
Code A part number	35598102	35602360	35602323
Drawing number	35601373	35602372	35602369
Other codes available	A~F,G~M	A~F	A~F
Dimensions (mm)	12*27.45*14.2	12*27.15*16.5	15.65*27.3*15.9



## HSD HEADER RIGHT ANGLE-DIE-CAST

Configuration	2X4P 90° (Male) (TWO PORT PITCH 8)	2X4P 90° (Male) (TWO PORT PITCH 12.7)
Product image		
Code A part number	35602331	35602342
Drawing number	35602370	35602371
Other codes available	A~F	A~F
Dimensions (mm)	20*30.1*16.35	24.7*28.25*14.25


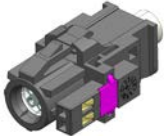




## HSD HEADER VERTICAL-DIE-CAST

Configuration	4P 180° (Male) (SHIELD PIN PITCH)	4P 180° (Male) (SHIELD PIN PITCH)	4P+2 180° (Male) (SHIELD PIN PITCH)
Product image			
Code A part number	35626528	35601409	35617208
Drawing number	35626535	35601374	35617215
Other codes available	A~F	A~F	A~F
Dimensions (mm)	12*18*14.25	12*17.64*14.25	15.8*18*14.25






## HSD FEMALE INLINE CONNECTOR

Configuration	4P 180° (Female)	4P+2 180° (Female)	4P 90° &Up (Female)	4P 90° &Left (Female)
Product image				
Code A part number	35531834	35531847	35531862	35607228
Drawing number	35532779	35532777	35532773	35607246
Other codes available	A~F,G~M	A~F,G~M	A~F	A~F
Dimensions (mm)	12*29.83*13.45	15.04*29.8*13.55	12*19.05*32.77	15.8*28.64*18.15





## HSD FEMALE INLINE CONNECTOR

Configuration	2X4P 180° (Female)	4P+2 90° &Up (Female)	4P+4 90° &Left
Product image			
Code A part number	35602374	35532571	35607234
Drawing number	35602380	35532813	35607247
Other codes available	A~F	A~F,G~M	A~F
Dimensions (mm)	20.6*14.27*29.83	15.04*32.77*18.12	15.78*36.34*17.65



## HSD MALE INLINE CONNECTOR

Configuration	4P 180° (Male)	4P 180° (Male with G)
Product image		
Code A part number	35532736	35588429
Drawing number	35532821	35588447
Other codes available	A~F,G~M	A~F,G~M
Dimensions (mm)	12*29.85*14.25	12*29.85*14.25