

安波福 HSD 系列非密封连接器

APTIV High Speed Data (HSD) connector portfolio supports an impedance-controlled interconnect system for high speed data transmission. This is a high-performance digital system for low-voltage differential signals which prevents interference from crosstalk and external sources.



HSD FAMILY BENEFITS

- Cost effective stamped terminals
- Fully automated assembly process
- Ergonomic design

HSD SERIES FEATURES

- High EMC performance
- Data transmission up to 2Gbps
- Compatible to LV-214 as well as USCAR requirements



AVAILABLE CONFIGURATIONS

Connector Type	Inlines & Headers
Angles	90° , 180° , Reverse
Gender	Male and Female
Key/Color Codes	A-F, G-M
Cable Assembly	Customized cable assembly
Package	Tape & reel for header connector



INDUSTRY COMPLIANCE

HSD PROTOCOLS

- USB 2.0, 3.0
- LVDS
- Ethernet
- IEEE 1394
- APIX III

VIBRATION CLASS

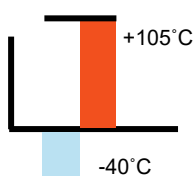
- LV-214 Level 2
- DIN IEC 60068-2-64 Level 2



APPLICATIONS

Display/Infotainment Head Units (IHU)
Cluster Display/360 Around Camera

OPERATING TEMPERATURE



DEGREES OF PROTECTION

ISO 20653 & IEC 60529 IP2X

About Aptiv

Aptiv is a global technology company that develops safer, greener and more connected solutions, which enable the future of mobility. Headquartered in Gillingham, England, Aptiv has 147,000 employees and operates 14 technical centers, as well as manufacturing sites and customer support centers, in 45 countries.

Visit aptiv.com.





HSD HEADER RIGHT ANGLE-STAMPING & FORMING

Configuration	4P 90° (Male) (SHIELD PIN PITCH)	4P+2 90° (Male)	4P+2 90° (Male) Reverse)
Product image			
Code A part number	35211239	35236710	35181255
Drawing number	35211249	35236723	35181263
Other codes available	A~F,G~M	A~F	A~F,G~M
Dimensions (mm)	12*27.3*14.2	15.56*27.3*14.2	15.65*27.3*15.9



HSD HEADER RIGHT ANGLE-DIE-CAST

Configuration	4P 90° (Male) (SHIELD PIN PITCH)	4P 90° (Male) (SHIELD PIN PITCH 9*9)	4P+2 90° (Male)
Product image			
Code A part number	35598102	35602360	35602323
Drawing number	35601373	35602372	35602369
Other codes available	A~F,G~M	A~F	A~F
Dimensions (mm)	12*27.45*14.2	12*27.15*16.5	15.65*27.3*15.9



HSD HEADER RIGHT ANGLE-DIE-CAST

Configuration	2X4P 90° (Male) (TWO PORT PITCH 8)	2X4P 90° (Male) (TWO PORT PITCH 12.7)
Product image		
Code A part number	35602331	35602342
Drawing number	35602370	35602371
Other codes available	A~F	A~F
Dimensions (mm)	20*30.1*16.35	24.7*28.25*14.25


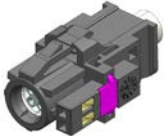




HSD HEADER VERTICAL-DIE-CAST

Configuration	4P 180° (Male) (SHIELD PIN PITCH)	4P 180° (Male) (SHIELD PIN PITCH)	4P+2 180° (Male) (SHIELD PIN PITCH)
Product image			
Code A part number	35626528	35601409	35617208
Drawing number	35626535	35601374	35617215
Other codes available	A~F	A~F	A~F
Dimensions (mm)	12*18*14.25	12*17.64*14.25	15.8*18*14.25






HSD FEMALE INLINE CONNECTOR

Configuration	4P 180° (Female)	4P+2 180° (Female)	4P 90° &Up (Female)	4P 90° &Left (Female)
Product image				
Code A part number	35531834	35531847	35531862	35607228
Drawing number	35532779	35532777	35532773	35607246
Other codes available	A~F,G~M	A~F,G~M	A~F	A~F
Dimensions (mm)	12*29.83*13.45	15.04*29.8*13.55	12*19.05*32.77	15.8*28.64*18.15





HSD FEMALE INLINE CONNECTOR

Configuration	2X4P 180° (Female)	4P+2 90° &Up (Female)	4P+4 90° &Left
Product image			
Code A part number	35602374	35532571	35607234
Drawing number	35602380	35532813	35607247
Other codes available	A~F	A~F,G~M	A~F
Dimensions (mm)	20.6*14.27*29.83	15.04*32.77*18.12	15.78*36.34*17.65



HSD MALE INLINE CONNECTOR

Configuration	4P 180° (Male)	4P 180° (Male with G)
Product image		
Code A part number	35532736	35588429
Drawing number	35532821	35588447
Other codes available	A~F,G~M	A~F,G~M
Dimensions (mm)	12*29.85*14.25	12*29.85*14.25